



SPIROGUARD WITH INTEGRAL MOUTHPIECE

SINGLE PATIENT USE

BACTERIAL/VIRAL PERFORMANCE

CASING: WHITE POLYPROPYLENE

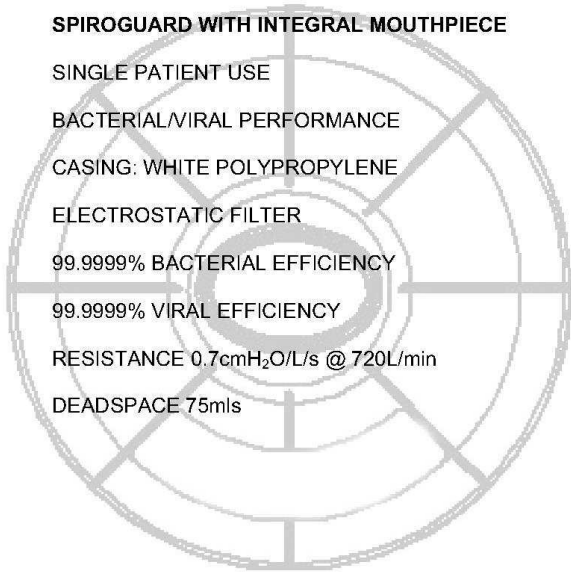
ELECTROSTATIC FILTER

99.9999% BACTERIAL EFFICIENCY

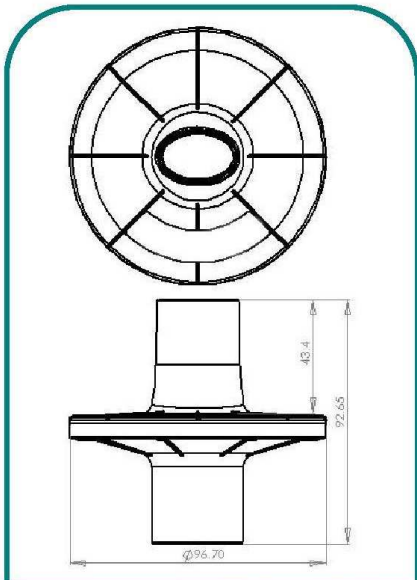
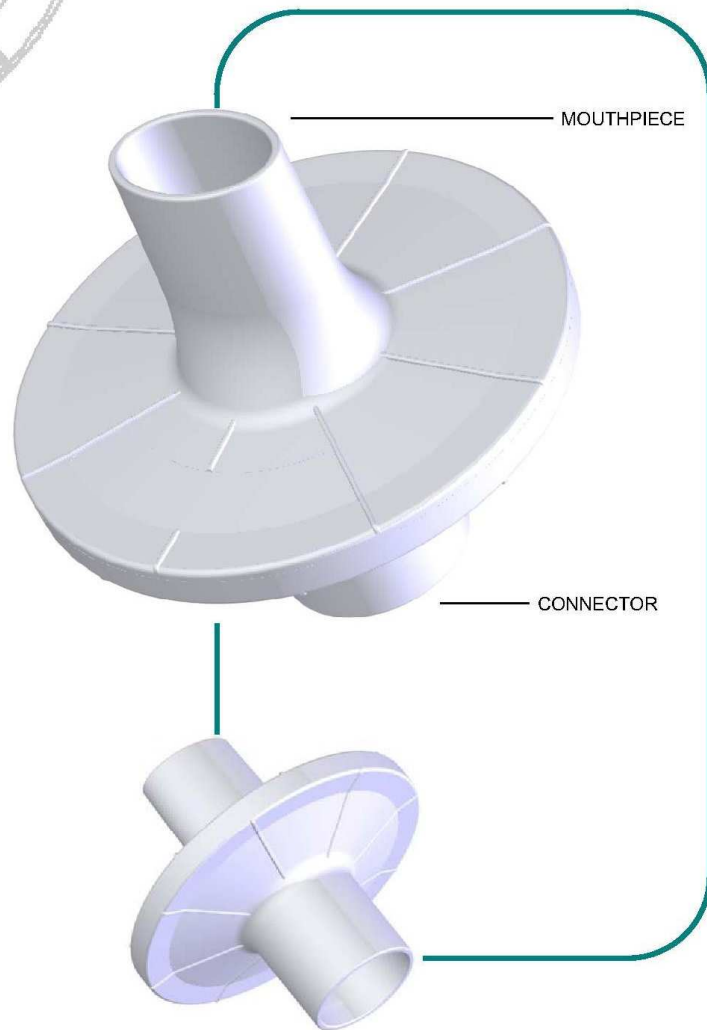
99.9999% VIRAL EFFICIENCY

RESISTANCE 0.7cmH₂O/L/s @ 720L/min

DEADSPACE 75mls



air AS 7/14
SAFETY LIMITED



REV: 5

27/10/06

2800 /21